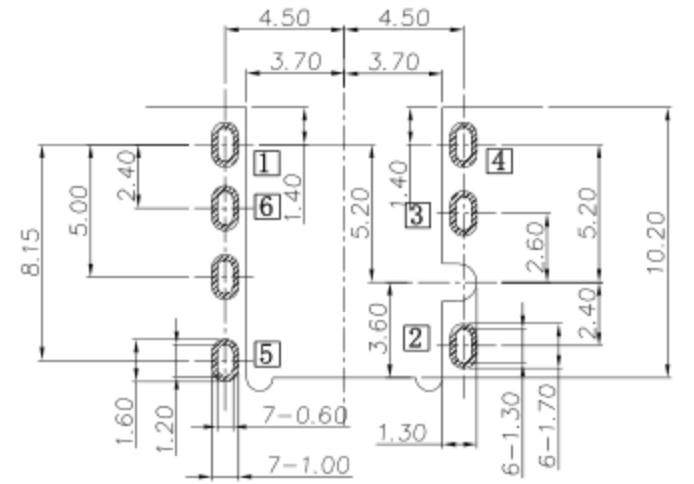
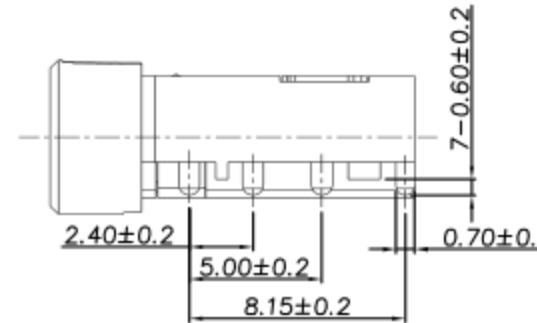
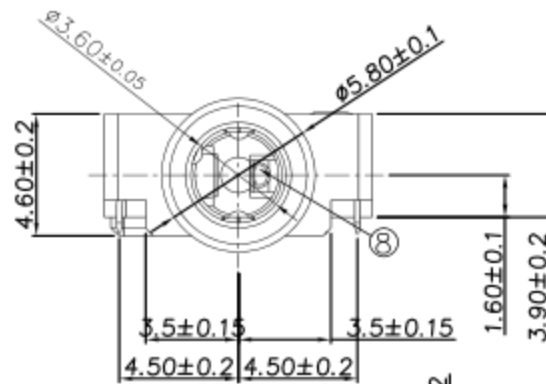
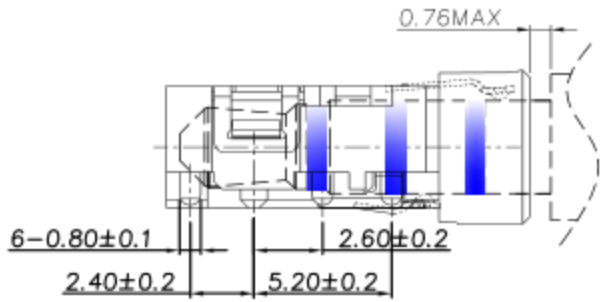
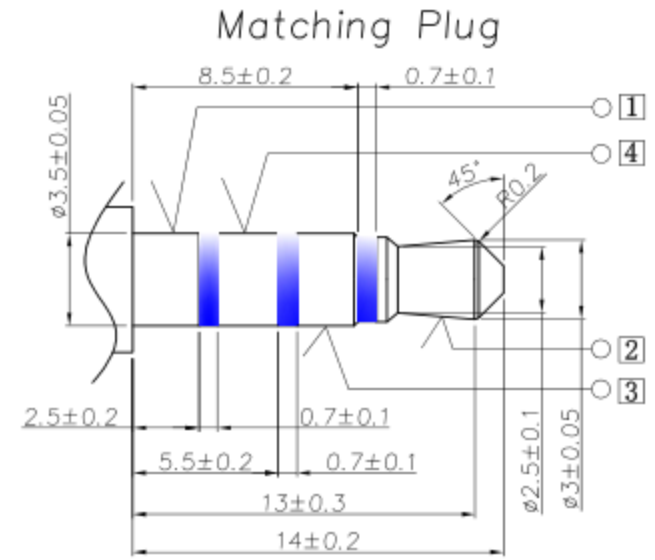
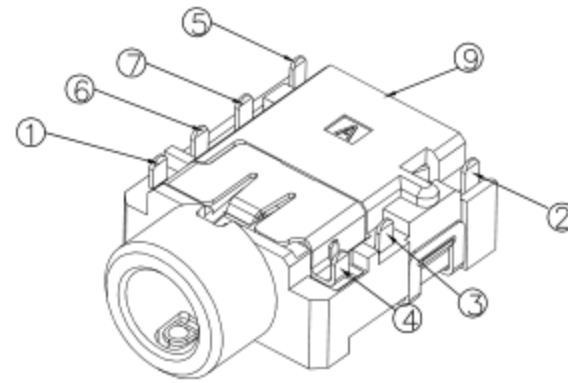
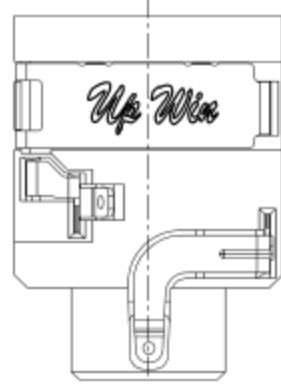
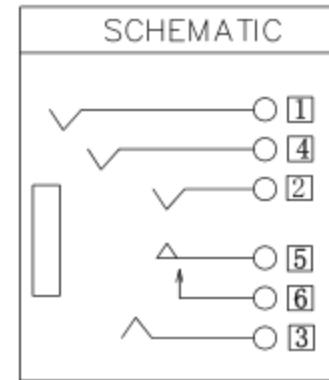
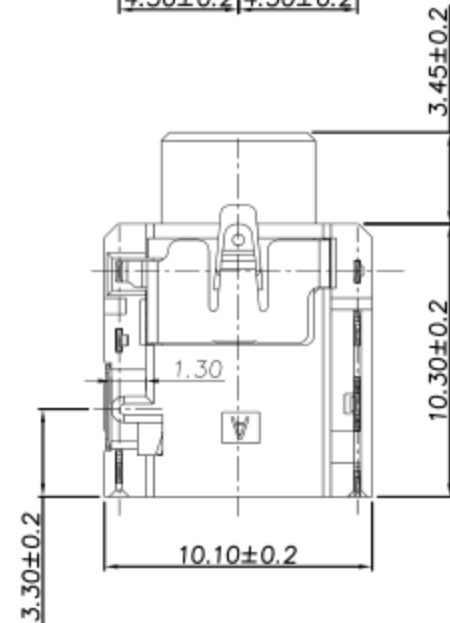


MODEL NO. :
 PJR-D3261I-ABK7AU06L-RH
 (1) (2)(3) (4)(5)(6)

- (1) Series no.
- (2) Schematic type: A, B, C
- (3) Housing color:
BK7=Black
- (4) Terminal plating:
AU06=Plating Gold 30u" min.
- (5) Packing mode:L=Reel packing
- (6) Environmental requirements:
Rh=RoHS 2.0 + Halogen Free



RECOMMENDED P.C.B LAYOUT
 TOP VIEW (TOLRANCE: ±0.05)



SPECIFICATION:

1. Electrical characteristics

- 1-1. Current rating: DC 0.5A max.
- 1-2. Voltage rating: DC 30V.
- 1-3. Contact resistance: 50m Ω max.
- 1-4. Insulation resistance: 100M Ω min. at 500V DC.
- 1-5. Withstanding voltage: 500V AC for 1 minute.

2. Mechanical characteristics

- 2-1. Life test: 5000 cycles min,
- 2-2. Mating force: Before the test 7~20N.
After the test 5~20N.
- Unmating force: Before the test 5~20N.
After the test 3~20N.

3. Salt spray test time: 24 hours min.

9	Housing	1	PA10T R630NH+30%GF UL 94V-0	Black
8	Insulator	1	PA10T R630NH+30%GF UL 94V-0	Black
7	shell	1	Phosphor bronze, 0.20t	40u"Nickel Plated
6	Shunt terminal	1	Phosphor bronze, 0.20t	Gold Flash On Contact Area And Solder Tail Area, All over 80u"Nickel Plated
5	Transfer Spring	1	Phosphor bronze, 0.20t	
4	Ring spring	1	Phosphor bronze, 0.20t	Au30u" On Contact Area Gold Flash on Solder Tail Area, All over 80u"Nickel Plated
3	Ring spring	1	Phosphor bronze, 0.20t	
2	Tip spring	1	Phosphor bronze, 0.20t	
1	Earth spring	1	Phosphor bronze, 0.20t	
NO.	DESCRIPTION	QTY	MATERIAL	REMARK

					Angle	±2°	DESIGN	罗振强	2018. 11. 20
					. x	±0.35	CHECK		
					. xx	±0.25	APPROVAL		
	A-0	2018. 11. 20	NEW	罗振强	李海鹏	. xxx			
ECN NO.	REV	DATE	DESCRIPTION	CHANGE	APPRO.	GENERAL TOLERANCE UNLESS OTHERWISE NOTED	SCALE: 1:1	UNIT:mm	A4

东莞市高迪电子有限公司		
CUSTOMER DRAWING	TITLE:	φ3.5mm PHONE JACK
	MODEL NO.	PJR-D3261I-ABK7AU06L-RH
	FILE NO.	Q/SSY.QW-001A-0690
SHEET: 1 of 1		